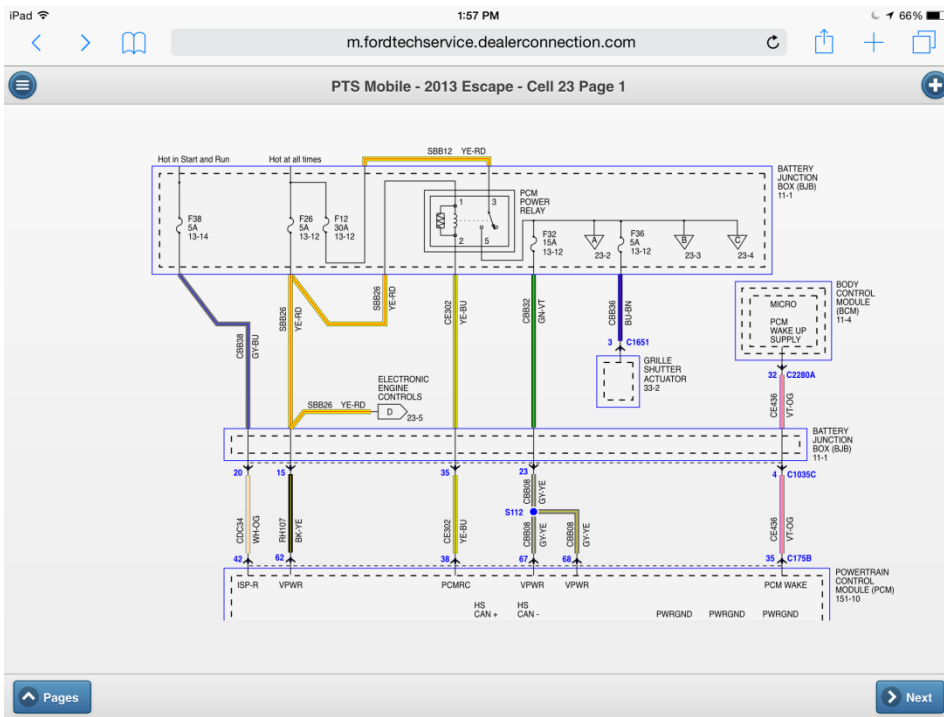


PTS MOBILE EXPERIENCE

Delivering Ford Service Information on your phone or tablet through a fast, light and easy to use mobile website

NOTHING BETWEEN YOU AND YOUR INFORMATION



PTS offers an easy to navigate mobile experience with a user interface that's out of your way, enabling easy access to vehicle service information even on your mobile phone.

Available Service Information

- OASIS
- Broadcast Messages
- Warranty History
- Technical Service Bulletins
- Workshop Manuals
- PC/ED Diagnostics
- Wiring Diagrams
- Service Tips
- Owner Information

PERSONALIZED TO YOUR COUNTRY AND LANGUAGE

- Supports the same markets and languages that desktop PTS supports for our global customers.
- Targeted content is accurately delivered for the VIN entered.



Use PTS Mobile Today!



Works with your mobile browser without any downloads!



Rocket Fast Performance on your phone or tablet!



Cloud delivered for the most accurate and up to date Ford Service Information!

<http://m.proservicetech.com>

